

# PRO-LOK<sup>®</sup>

THE **SOLID** SOLUTION

*Microphone Stands*

*Music Stands*

*Guitar Stands*

*Keyboard Stands*

*Speaker Stands*

*Lighting Stands*

*Keyboard Benches*



[www.prolok-usa.com](http://www.prolok-usa.com)

# TABLE OF CONTENTS

**PRO-LOK**

THE **SOLID** SOLUTION  
[www.prolok-usa.com](http://www.prolok-usa.com)

**Microphone Stands**



**Keyboard Stands**



**Music Stands**



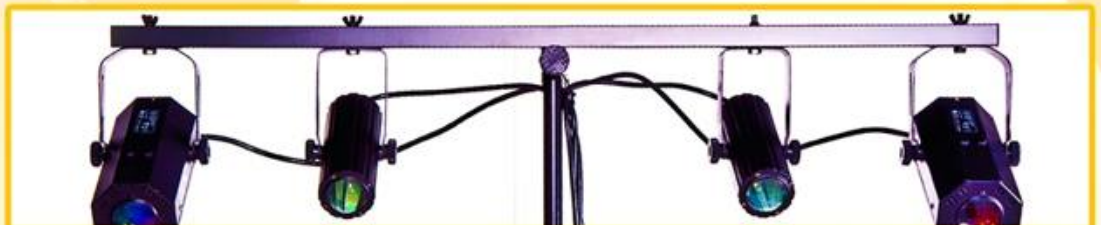
**Guitar Stands**



**Speaker Stands**



**Lighting Stands**



**Piano Stools and Benches**



**PLOK-PMB850 SOLID SOLUTION**

PRO-LOK microphone stands provide a great value in product features, reliability and a professional look. Whether you choose one of PRO-LOK's boom microphone stands or the stackable round base model, you will find PRO-LOK to be a quality product that can be relied upon, gig after gig!

STANDS

**Tripod mic stand with fixed boom**

- ABS leg housing
- Comfort grip height adjustment with **No-Slip** system
- Includes cable clip
- Heavy duty rubber feet
- Weight: 1.7kg/3.75 lbs
- Black
- Master carton 8 pcs

PRO-LOK'S tubing diameter is thicker than most other brands in the market making PRO-LOK one of the most reliable stands available.



*Boom arm diameter 1/2"*

*Tripod diameter 3/4"*



PRO-LOK proprietary tooling



Comfort grip height adjustment **No-Slip** system & cable clip



Composite leg housing



Counterweight

**PRO-LOK**



**PLOK-PMB950 SOLID SOLUTION**

STANDS

- Deluxe tripod mic stand with telescopic boom
- Heavy Duty metal connection joints
- Metal leg housing with **No-Slip** system
- Comfort grip height adjustment
- Includes cable clip
- Heavy duty rubber feet
- Weight 2.4kg/5.29 lbs
- Black
- Master carton 6 pcs



Metal telescoping boom



Metal connecting joints



Metal leg housing



Comfort grip height adjustment  
**No-Slip** system



Boom arm diameter 1/2"

Tripod diameter 3/4"



Cable clips



Counterweight



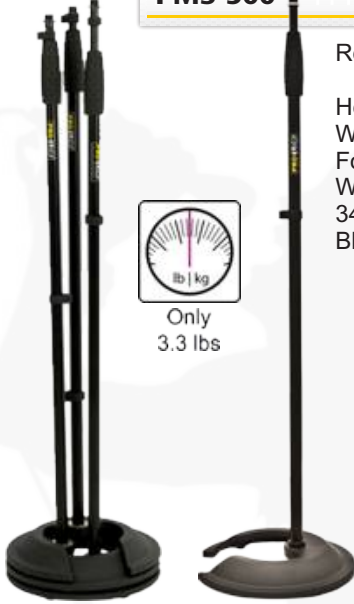
**PMS-500**

Round base stackable mic stand

Height: 440mm (17.32")  
 Weight: 1.5kg (3.3 lbs)  
 Foot tube length: 280mm (11.02")  
 Width adjust range: 210mm (8.27") - 345mm (13.58")  
 Black color



Only  
3.3 lbs



**PMS-560**

Round base stackable mic stand with EASY ADJUST GRIP

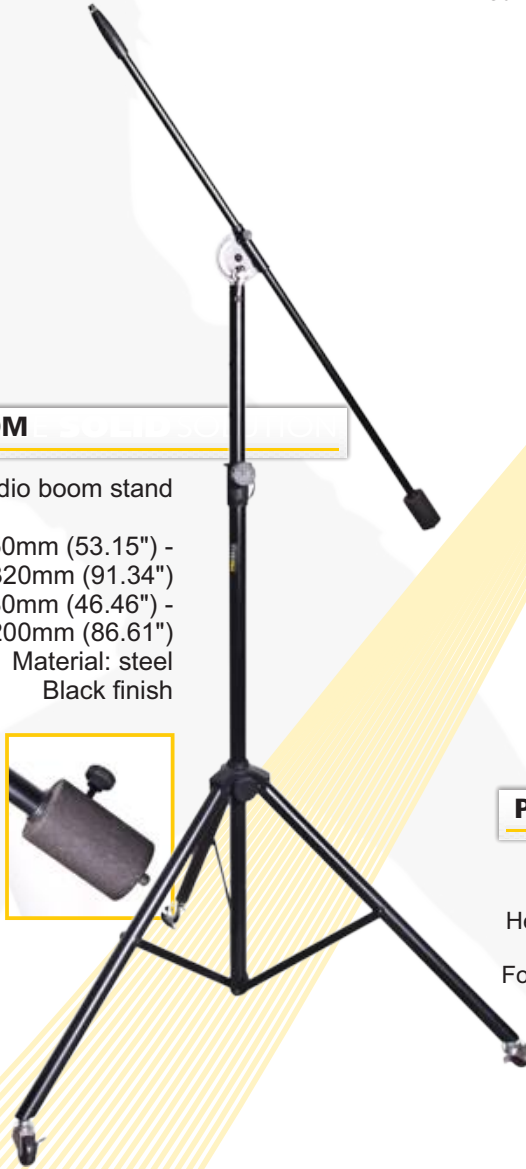
Height: 890 - 1760mm  
 Base Size: 190mm  
 Base Materials: Iron Cast  
 Black color



**PMB-LGBOOM**

Studio boom stand

Height: 1350mm (53.15") - 2320mm (91.34")  
 Arm length: 1180mm (46.46") - 2200mm (86.61")  
 Material: steel  
 Black finish



**PMB-760**

Tripod mic boom stand

Height: 960mm - 1580mm  
 Boom Length: 800mm  
 Foot Tube Length: 300mm  
 Weight: 1.5kg  
 Black color



**PMS-200**

Table top mic stand

Height: 160mm (6.3")  
 Base diameter: 130mm (5.12")  
 Base material: Iron cast  
 Black color



**KEYBOARD**

**PKS-511 THE SOLID SOLUTION**

*Deluxe single-braced keyboard stand*

Trigger style quick release for easy set-up  
 Arm length: 28mm (1.1") x 350mm (13.78")  
 Foot tube length: 490mm (19.3")  
 Height adjustable range: 680mm (26.77") - 980mm (38.58")  
 Material: Steel  
 Tubing: 1"  
 Black  
 Master Carton- 4 PCS



**65 lbs Capacity**



Weight: 3kg (6.61 lbs)

**PKS-512 THE SOLID SOLUTION**

*Deluxe double-braced keyboard stand*

**110 lbs Capacity**



Quick release trigger



Position locking mechanism



Weight: 4.5kg (9.9 lbs)

**PKS-522A THE SOLID SOLUTION**

Universal 2nd tier  
 Converts 511 & 512 stands into two tier keyboard stands  
 Easy to adjust  
 Multiple positioning adjustments  
 Heavy duty rubber tips and protectors  
 Master carton 10 pcs  
 Black



2nd tier locking mechanism



Multiple positioning adjustment

PMS-240

THE **SOLID** SOLUTION



EDUCATOR APPROVED



Lightweight music stand

- European desk design
- 3-piece construction
- Music clips
- Lightweight and folds down for easy use
- Weight: 1.2 kg (2.65 lbs)
- Foot tube length: 333mm (13.11")
- Height adjustable range: 640mm (25.20") - 1270mm (50")
- Master carton (20) pieces
- Black



European desk design



Multi-tilt adjustments & sheet music holder clips



Heavy duty rivot joints

PMS-380

THE **SOLID** SOLUTION

Deluxe orchestral / conductor / home / studio music stand



Multiple position tilt adjustment



Multi-purpose use for sheet music or as a desk



- Heavy duty desk
- Weight: 3kg (6.61 lbs)
- Foot tube length: 340mm (13.39")
- Height adjust range: 940mm (37") - 1420mm (55.9")
- Master carton (5) pieces
- Black



GUITAR

**PGS-320 THE SOLID SOLUTION**



**Tubular guitar stand**

Fold-down top  
 Safety strap  
 Protective rubber at contact points  
 Weight 1kg (2.2 LBS)  
 Height adjust range:  
 635mm (25") - 750mm (29.53")  
 Individually boxed  
 Master carton (10) pieces  
 Black



Channel locking insert



Safety strap & protective rubber at contact point



Fold-down top for maximum portability

**PGS-340 THE SOLID SOLUTION**

**Universal A-frame guitar stand**

Fits acoustic, electric, bass & classical  
 Locking width adjustment for increased stability  
 Diameter of base: 250mm (9.84")  
 Weight: 3kg (6.61 lbs)  
 Protective rubber at contact points  
 Individually boxed  
 Master carton (6) pieces  
 Black



Multiple locking position



Fits most body styles





## PGS-402 THE SOLID SOLUTION

Whether your desire is to show off your guitars at home or office, quick access on stage between songs or for retail music store displays, PRO-LOK has a stand to fit your needs.



- Safety straps
- Height adjustable
- Floating cradles
- Protective rubber at contact points
- Large leg base for maximum balance for odd-shaped instruments
- PGS-402 Master carton (8) pieces
- PGS-403 Master carton (6) pieces
- Black

## PGS-403 THE SOLID SOLUTION



## PGS-MULTI-5 THE SOLID SOLUTION

- Will accommodate numerous combinations of guitars and other fretted/stringed instruments.
- Protective rubber tubing for neck protection
- Protective rubber tubing for body protection
- Bottom tubing adjustable for wider instruments
- Height adjustable
- Great for home, studio or stage use
- Master carton (6) pieces
- Black

## PGS-MULTI-3 THE SOLID SOLUTION

3 instrument stage multi-stand



5 instrument stage multi-stand



**PSS-922**

THE **SOLID** SOLUTION

SPEAKER

PRO-LOK speaker stands are lightweight and strong by design. You can rely upon PRO-LOK stands to protect your speaker investment.

Pair of Aluminum stands (2) in one bag

**110 lbs Capacity**



**BEST SELLER!**

Main tube: OD 41mm  
Moving tube: OD 35mm (1.38")  
Load capacity: 50kg (110 lbs)  
Height adjustable - 48" - 79"  
5 height position every 6 inches  
Weight - 7.05lbs.(pr)  
Black  
Bag Included  
Master carton 2 pair per box



PRO-LOK proprietary tooling



ABS tripod leg housing



Safety pin for extra stability



Heavy duty nylon bag with carry straps

# PRO-LOK



## PSS-940

### THE SOLID SOLUTION

#### Deluxe Aluminum speaker stand

Weight: 3.2kg (7.1 lbs)  
 Main tube: OD 41mm  
 Moving tube: OD 38mm (1.5")  
 Load capacity: 60kg (132.3 lbs)  
 Foot tube length: 910mm (35.83")  
 Height adjustable range: 61" - 86"  
 6 height positions every 6 inches  
 Master carton 6 pcs  
 Black



ABS tripod leg housing



Safety pin insert



## PSS-SUBPOLE

### THE SOLID SOLUTION

#### Subwoofer pole to hold satellite speaker over subwoofer

Weight: 2kg (4.4 lbs)  
 Main tube: OD 38mm  
 Moving tube: OD 35mm (1.38")  
 Load capacity: 50kg (110 lbs)  
 Height adjustable range: 800mm (31.5") - 1340mm (52.76")  
 5 height positions every 6 inches  
 Master carton 10 pcs  
 Black



Safety pin insert



## PSS-980

### THE SOLID SOLUTION

#### Deluxe Aluminum speaker stand with air pressure

Weight: 3kg (6.61 lbs)  
 Main tube: OD 38mm  
 Moving tube: OD 35mm (1.38")  
 Load capacity: 60kg (132.3 lbs)  
 Foot tube length: 788mm (30.7")  
 Height adjustable range: 55" - 77"  
 6 height positions every 6 inches  
 Master carton 4 pcs  
 Black



Built-in air chamber that allows for heavy speakers to be lowered on a cushion of air.



ABS tripod leg housing



Safety pin for locking positions



SPEAKER

# THE **SOLID** SOLUTION



## PSS-600

Steel speaker stand

Weight: 2.26kg (4.98 lbs)  
Load capacity: 50kg (110 lbs)  
Foot tube length: 680mm (26.7")  
Height adjust range: 1200mm (47") - 1980mm (77.9")  
Black finish



PRO-LOK proprietary tooling



Safety pin for extra stability



**PLS-4000**

THE **SOLID SOLUTION**

**LIGHTING**



Square crossbar with wingnuts

ABS leg housing

**Lighting stand with square crossbar**

Height: 1100mm (43.3") - 2500mm (98.4")  
 Main tube: OD 30mm  
 Moving tube: OD 25mm  
 Top tube: OD 22mm (.87")  
 Arm length: 25mm (.98") x 25mm (.98") x 950mm (37.4")  
 Load capacity: 30kg (66.14 lbs)  
 Materials: steel  
 Master carton 6 pcs  
 Black



Butterfly wingnut to secure lights

**PLS-4010**

THE **SOLID SOLUTION**

**Lighting stand with tubular crossbar**

Height: 1450mm (57.09") - 3250mm (125.95")  
 Main tube: OD45mm  
 Moving tube: OD 41mm  
 Arm length: OD 38mm (1.49") x 1220mm (48.03")  
 Load capacity: 60kg (132.3 lbs)  
 Materials: Aluminum  
 Master carton 6 pcs  
 Black



Tubular crossbar with wingnuts



PSS-2000C

THE **SOLID SOLUTION**

**SPEAKER**

Heavy duty speaker stand with metal crank



Crank handle  
 Main tube: OD 60mm  
 Moving tube size is 40x40mm  
 Top extension tube: OD 35mm (1.38")  
 Permissible load: 85kg (187lbs)  
 Max. height: 4m (13'2")  
 Min. height: 1.75m (5'9")  
 Base diameter: 1.6m (5'3")  
 Weight: 25kg (55lbs)  
 Black



Metal leg housing with locking height adjustment

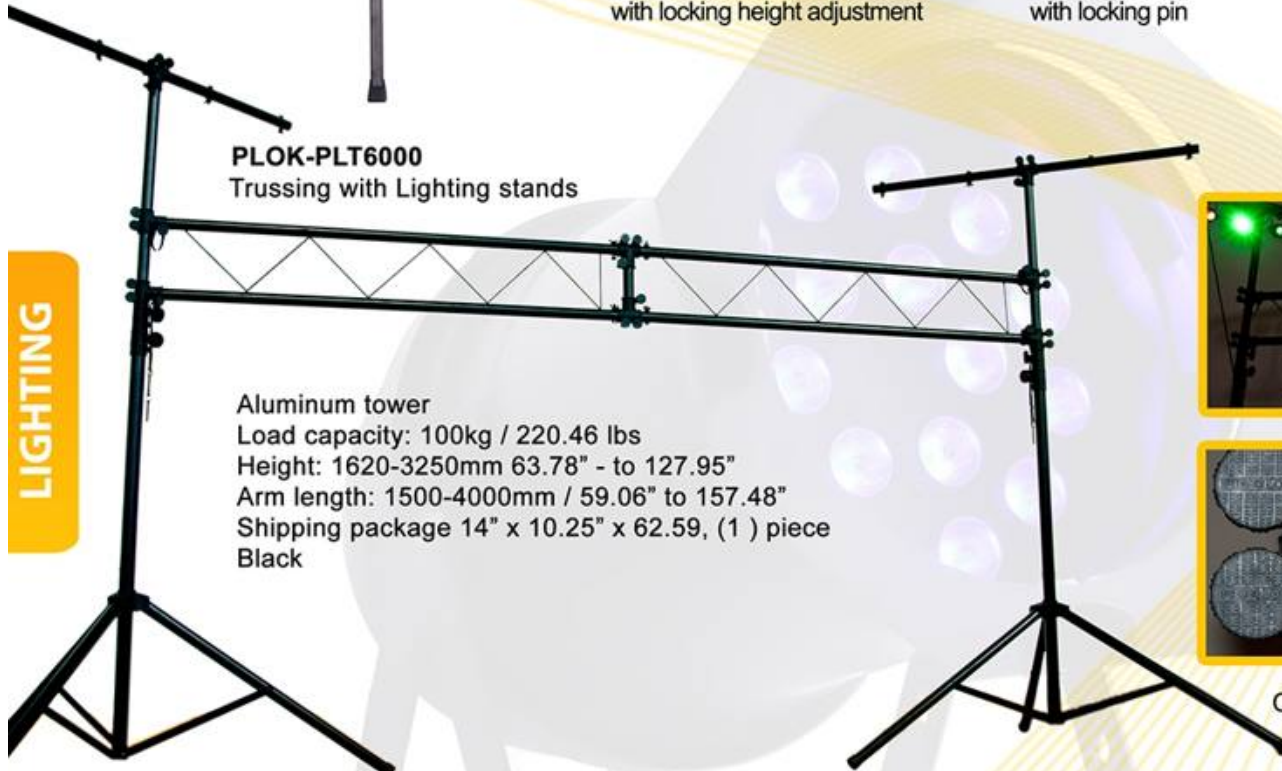


Heavy duty metal crank with locking pin

**LIGHTING**

**PLOK-PLT6000**

Trussing with Lighting stands



Aluminum tower  
 Load capacity: 100kg / 220.46 lbs  
 Height: 1620-3250mm 63.78" - to 127.95"  
 Arm length: 1500-4000mm / 59.06" to 157.48"  
 Shipping package 14" x 10.25" x 62.59, (1) piece  
 Black



Composite joints with locking pins



**PKB-1 THE SOLID SOLUTION**

Padded keyboard bench



Folds for ease of portability  
 Height: 550mm (21.65") - 620mm (24.41")  
 Plate size: 600mm (23.62") (w) x 30mm (1.18") (d)  
 Material: steel  
 Master carton 3 pcs  
 Black

**PKB-2 THE SOLID SOLUTION**

Deluxe padded keyboard bench



Folds for ease of portability  
 Height: 430mm (16.93") - 480mm (18.9")  
 Plate size: 405mm (15.94") (w) x 305mm (12") (d)  
 Material: steel  
 Master carton 4 pcs  
 Black

**PKB-PIANO THE SOLID SOLUTION**

Deluxe piano bench

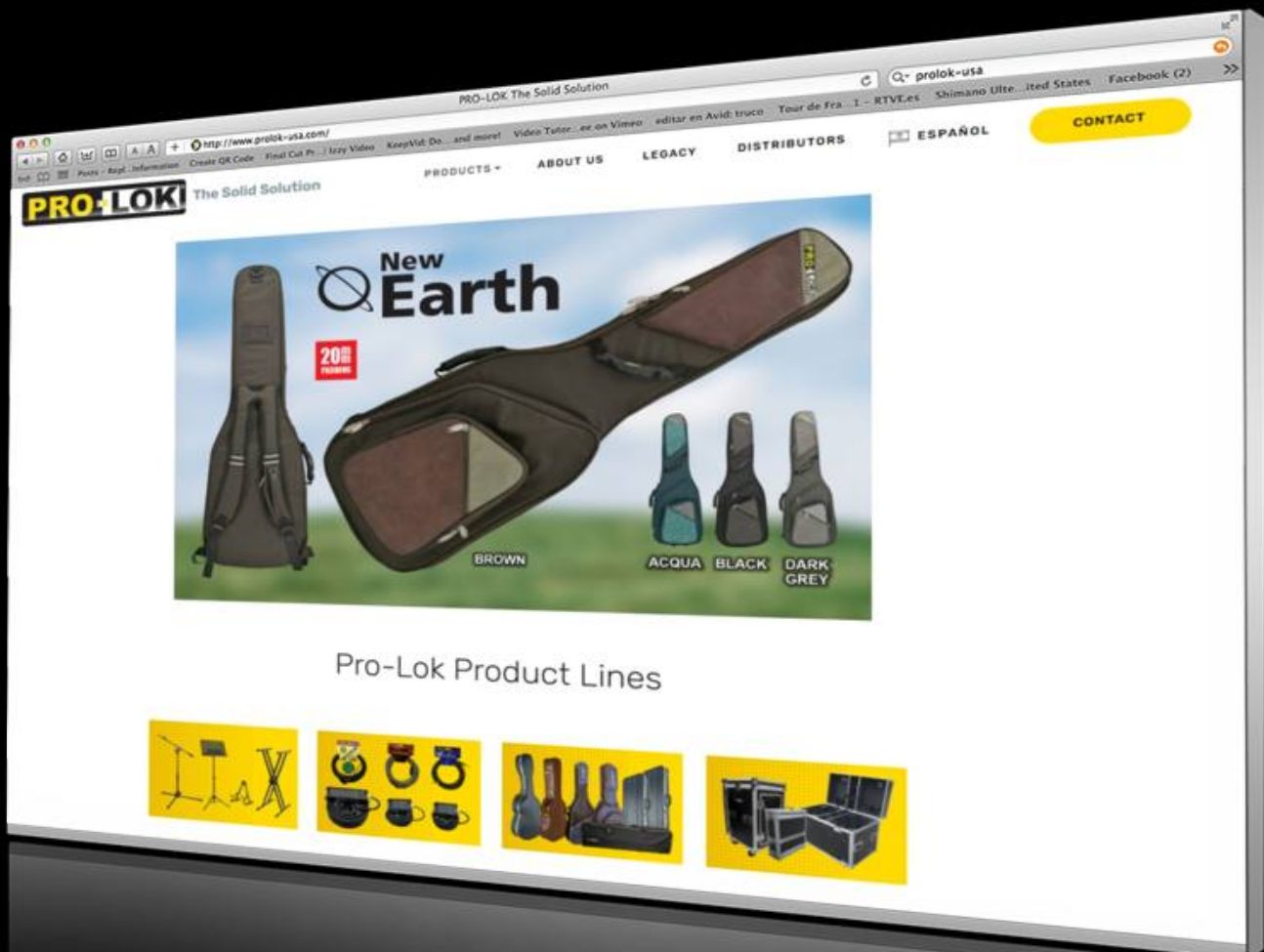


Storage compartment  
 Wood legs  
 Vinyl padded seat  
 Black finish  
 Master carton 1 pcs



# WWW.PROLOK-USA.COM | THE SOLID SOLUTION

Professional Racks, Cases, Support Systems, Cables & Bags



**PRO-LOK**

7091 NW 51 Street,  
Miami, FL 33166

Phone (305) 740-7454  
Fax (305) 740-7456

[www.prolok-usa.com](http://www.prolok-usa.com)  
[info@prolok-usa.com](mailto:info@prolok-usa.com)



# PRO-LOK<sup>®</sup>

THE **SOLID** SOLUTION



scan me



[www.prolok-usa.com](http://www.prolok-usa.com)